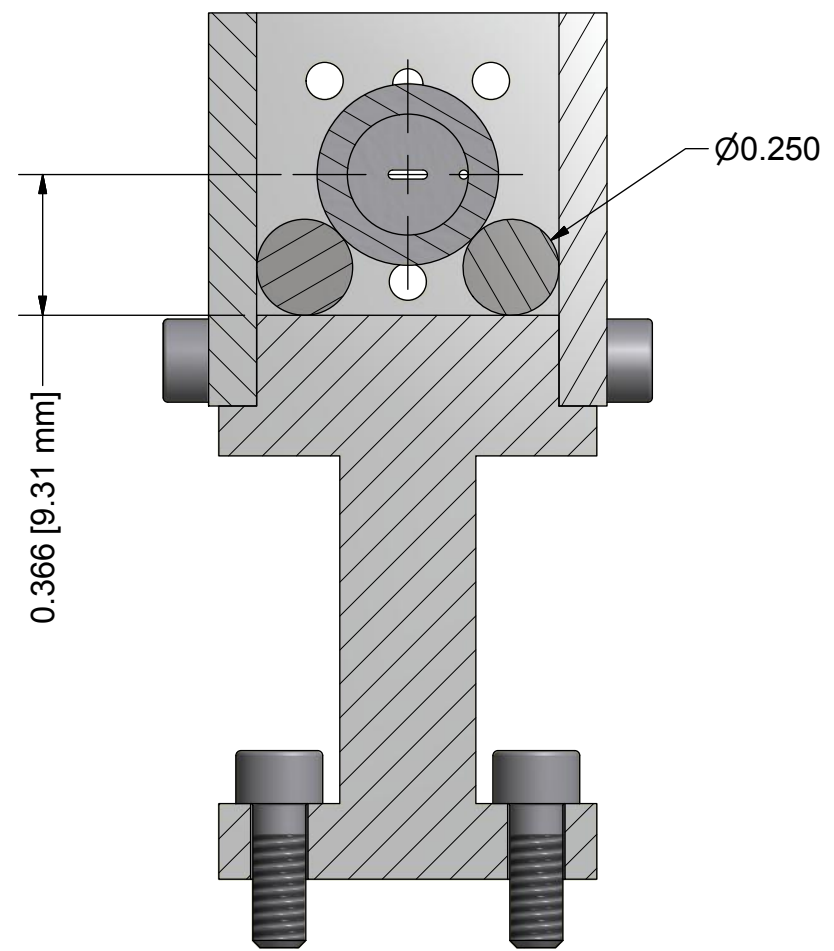
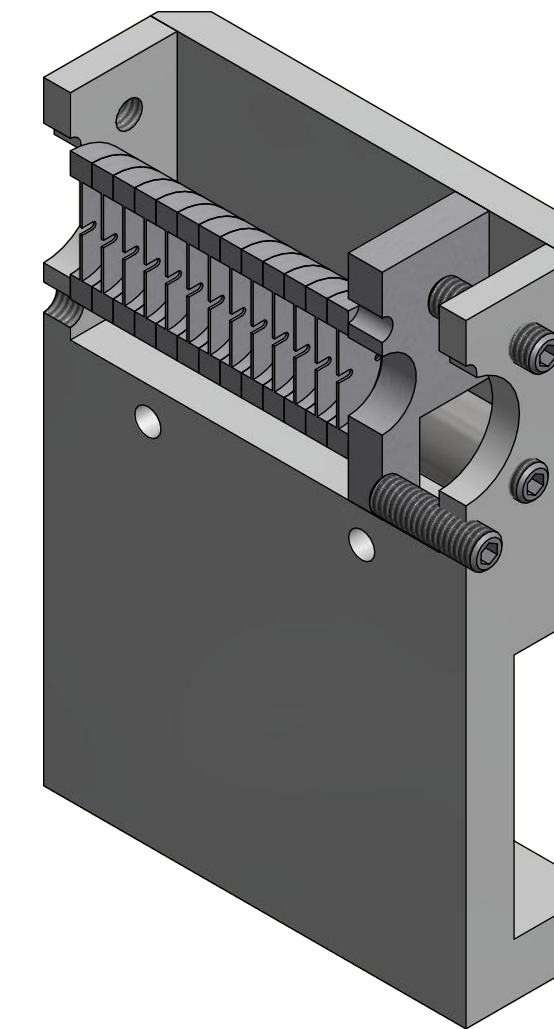
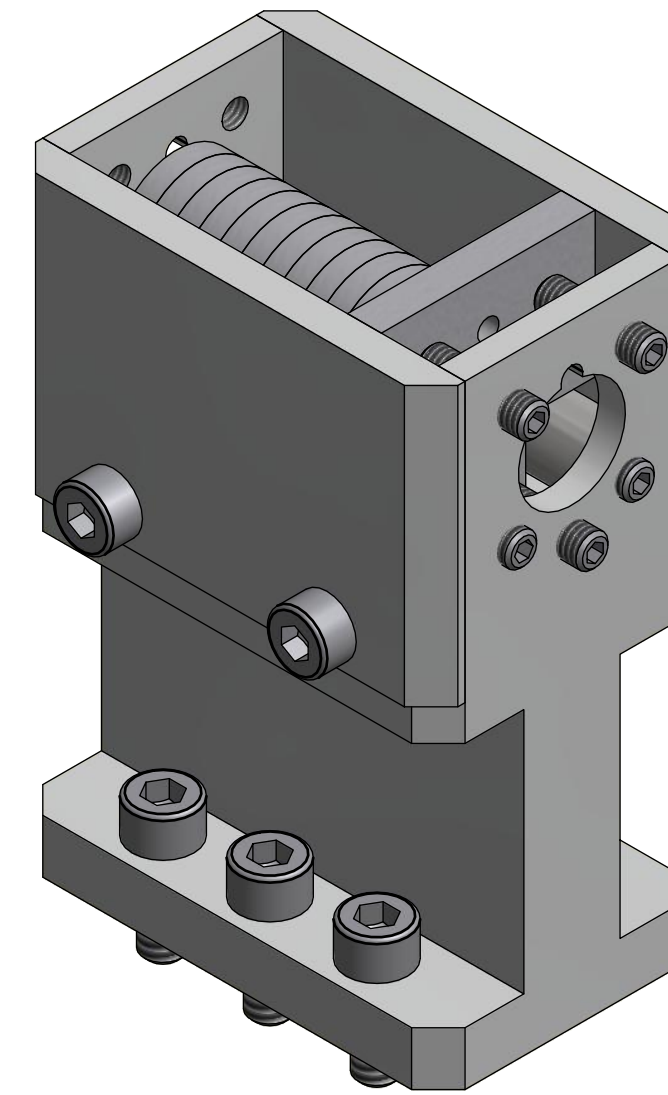


SECTION A-A



SECTION B-B



8-ID-1 LENSE HOLDER MODIFICATION
ADAPTED FOR 12MM DIAMETER LENSES

PRELIMINARY LAYOUT BASED ON ERIC DUFRESNE DESIGN

MIKE FISHER 1-28-15

VERSION 2, 1-29-15, SHOWN WITH "5TH HOLE" AND 2 mm HOLE