

11.6 SERIAL INTERFACE CABLE AND ADAPTERS

To aid in Serial Interface troubleshooting, wiring information for the serial cable assembly and the two mating adapters are provided in Figures 11-10 through 11-12. The Model 2001 and 2003 are included with the Model 340. The Model 2002 is an option.

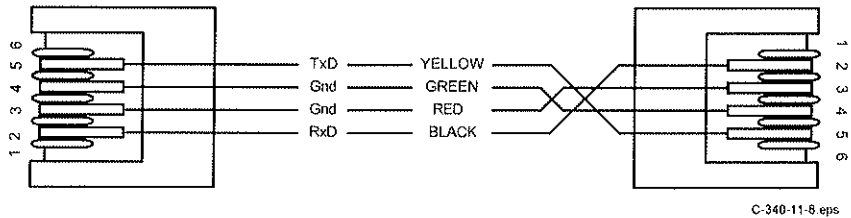


Figure 11-10. Model 2001 RJ-11 Cable Assembly Wiring Details

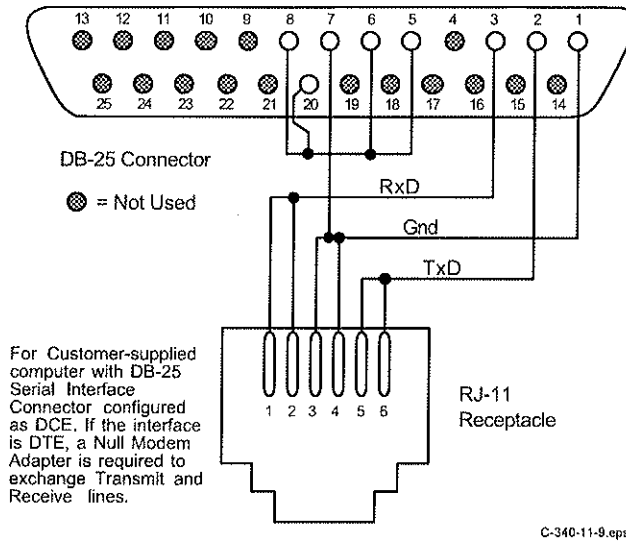


Figure 11-11. Model 2002 RJ-11 to DB-25 Adapter Wiring Details

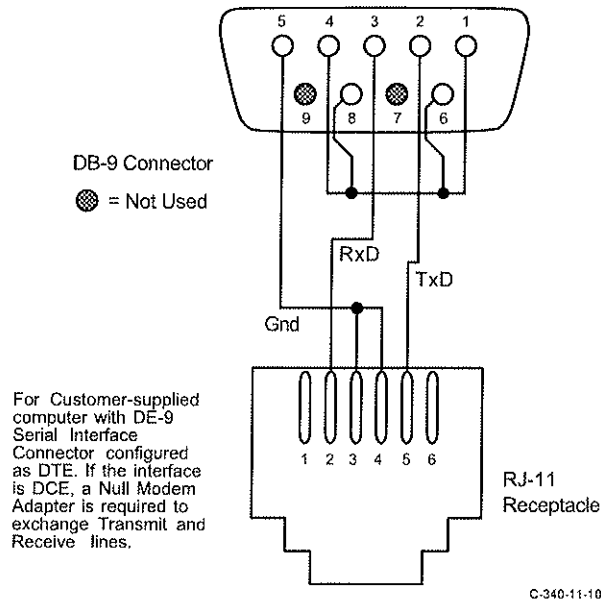


Figure 11-12. Optional Model 2003 RJ-11 to DE-9 Adapter Wiring Details