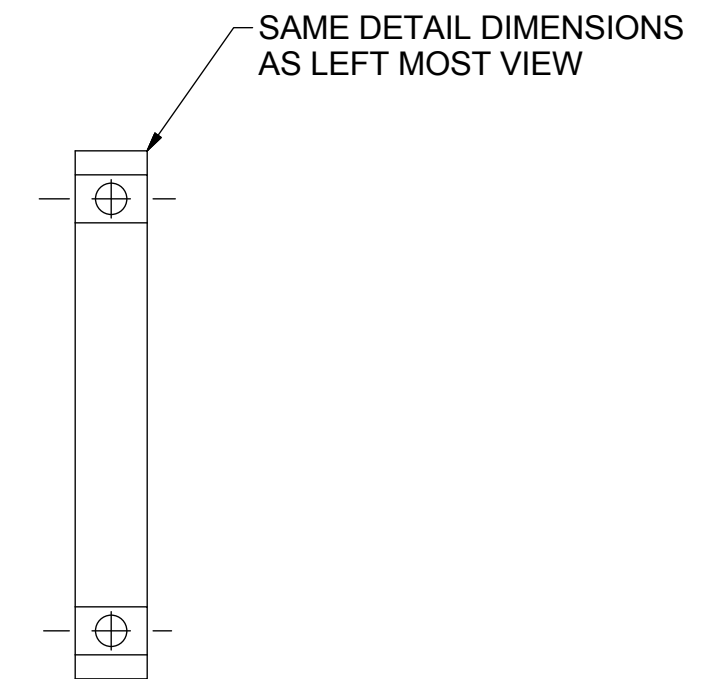
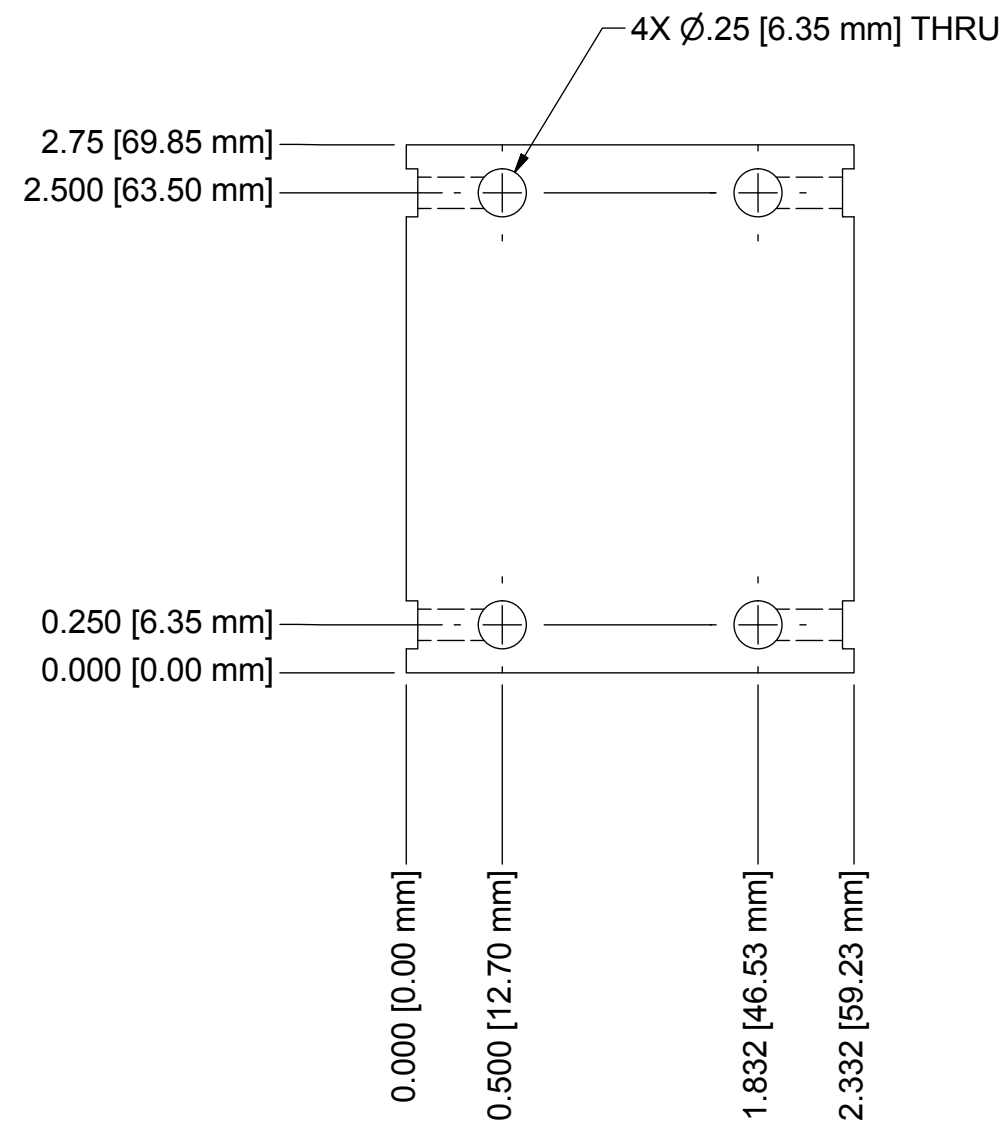
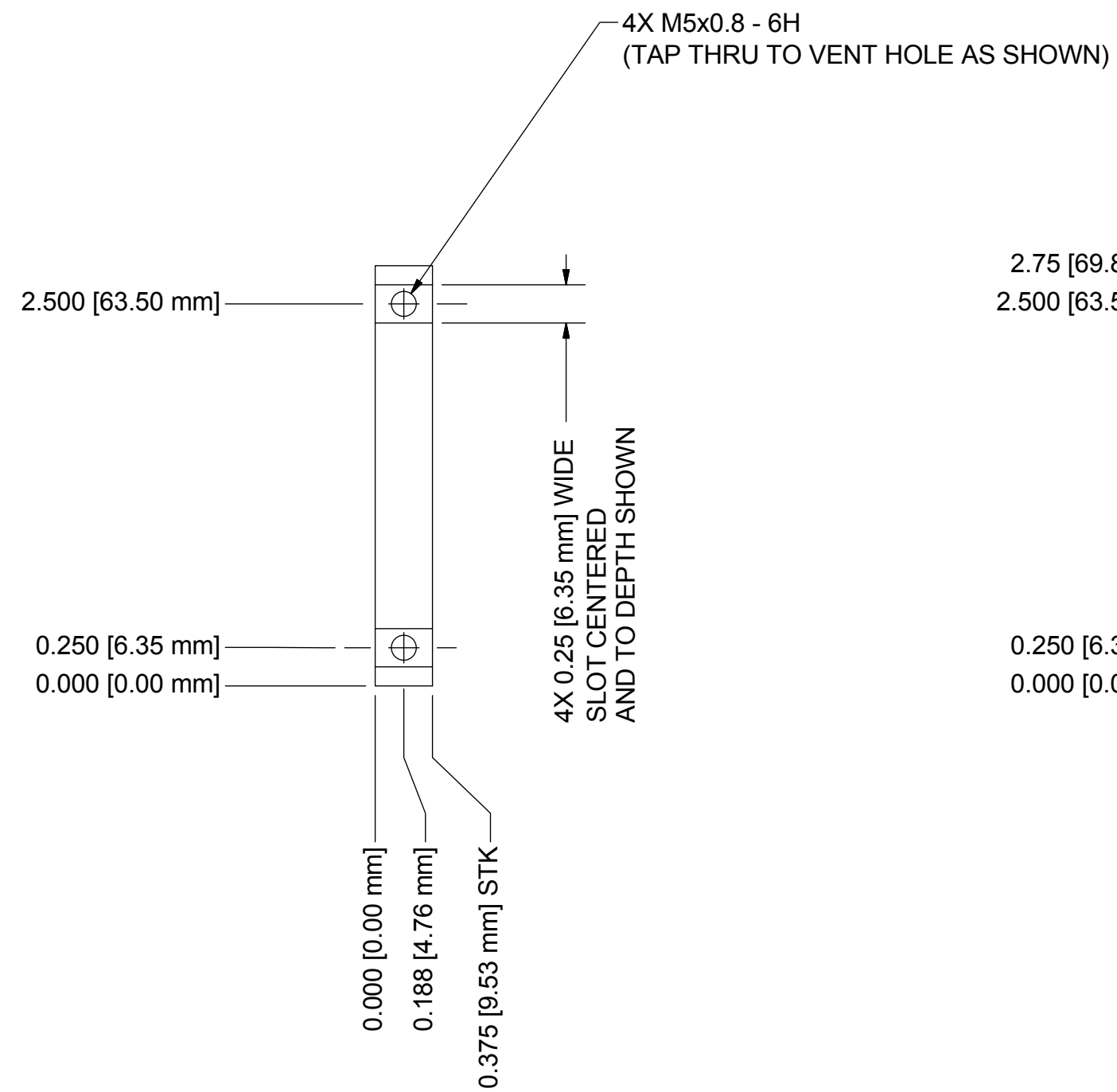
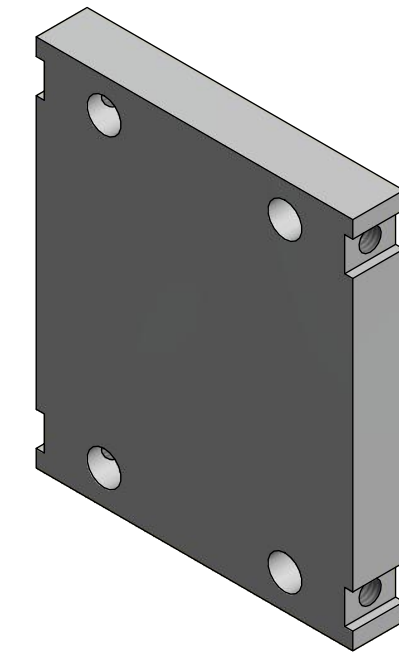


COST CODE: PRJ1000854 APS03-132\_PH01 General\_APS03071702: 8-ID-E Operations

QTY - 2

MIKE FISHER 2-1576



|  |  |  |                     |                              |
|--|--|--|---------------------|------------------------------|
| <br>ANSI Y14.5-2009 APPLIES<br>EXCEPT AS NOTED:<br>UNITS ARE: INCHES<br>SURFACE FINISH: 125<br>3 PLACE DECIMAL ±0.005<br>2 PLACE DECIMAL ±0.015<br>1 PL DEC., FRAC. ±0.030, 1/32<br>ANGULAR TOL'S ±0.5 | DRAWN: MVF<br>CHK'D:<br>APPR'D:                | MATERIAL: Aluminum-6061<br>SIMILAR TO:<br>APS 8-ID GISX SAMPLE ENVIRONMENT UPGRADE | ESTIMATED MASS: N/A |                              |
|  | SHEET: 1 OF 1                                  | VERTICAL ADAPTOR PLATE FOR LINKAM STAGE  |                     |                              |
|  | ARGONNE ADVANCED PHOTON SOURCE<br>NATIONAL LAB |  |                     | SCALE 2:1<br>DATE 12/11/2017 |
|  | FIRST USED ON<br>GISX-325                      | DWG NO<br>GISX-327   | SIZE<br>C           | REV                          |

| CHANGE LETTER | CHGD BY | CHKD BY | DATE | CHANGE |
|---------------|---------|---------|------|--------|
|               |         |         |      |        |