

MULTI-SAMPLE GIXS DETAILS

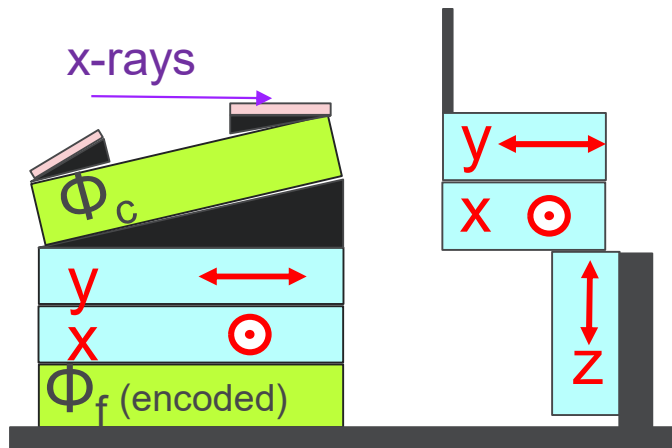
Documentation for staff

Req. No. F3-239034

<https://anl.box.com/s/384kp1g2liz5a7z63xmoyi4rjnvamw0>

Most documentation here:

<https://anl.box.com/s/iywolkty0xnw5h16w6aiitqvilo9q4pj>



STAGE	ENCODER	MODEL	Motor	Driver	Reference
Vphif	Tonic TI0100A01A	Huber 408-XEW2.HV 2042.20-UHV (1-1:80 reducer) https://anl.box.com/s/9aeclqwar8dec00zi7az6vy5c6pnsba5	PHYTRON VSS43.200-2.5-HV 200/400 steps/rev, bipolar	SINCO S	https://anl.box.com/s/384kp1g2liz5a7z63xmoyi4rjnvamw0
vsamx/vsamy	N/A	Huber 5102.10 (1=1:20 reducer)	M.PH42.200.HV-30 Stepper motor Phytron VSS43.200-2.5-HV	SINCO S	Same as vphic
Vphic	N/A	Huber 408-X3W2.HV (no reducer) https://anl.box.com/s/9aeclqwar8dec00zi7az6vy5c6pnsba5		SINCO S	
Bstopz	N/A	Micronix VT-12010 Same as (non UHV) Micos VT-21L	Integrated stepper, no encoder, hall-limit switches, 26 mm travel	SINCOS or SPD6B setting 0 (0.5A), half step	https://micronixus.com/product/LvbanQ/linear-motion/translation-stage-vt-21/
bstopx	N/A	Micronix VT-12010		See next slide	Same as bstopz
bstopy	N/A	Micronix PPS-20-23016 (PPS-20-SM002)	Integrated stepper, no encoder, hall-limit switches, 26 mm travel	Micronix MMC-200-01110	https://anl.box.com/s/fdp378uig2e56vxlq4bbevlr1w1civb

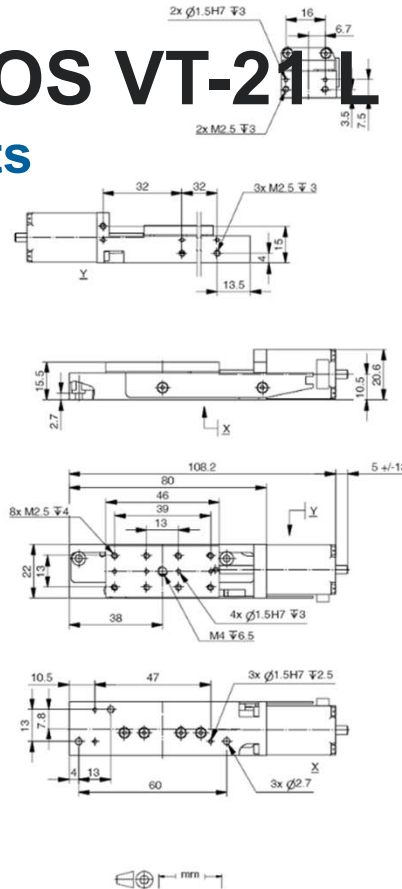
BSTOPX,Z: MICOS VT-21L

26 mm travel, hall limits

See slide 2 of

<https://anl.box.com/s/ewngwsczt9d5h1s09a1abb90au486dol>

Micos VT-21Lstage



SPD6B
Current:
0 (0.5 A)
Step:
Half step

Total travel:
26 mm

motorx_setup.adl (8ldg:w20) OMS VME58

Limits	High	Low
USED	24.500000	3.500000
NTW	13.470000	22.470000

Dynamics	Normal	Backlash	Calibration
Max. Speed (Rev/s)	0.000000		
Speed (Rev/s)	1.000000	1.000000	Cal Use Set
Base speed (Rev/s)	0.100000		OFF -18.970000
Accel time (s)	0.200000	0.200000	Frozen
Backlash dist. (mm)		-0.050000	Dir Pos Neg
Move fraction		1.000000	
Home Speed (mm/s)		3.000000	

Resolution, Readback	Units	Motor	Encoder	Readback	RBV inLink
	mm	200	0.250000	0.002500	
		Steps/Rev.	mm/Rev.	mm/Step	
		0.000000	0.000000	0.000000	
		Readback delay (s)	Use: No Yes	Use: No Yes	
		0.000000			

Retry	Max. retries	Deadband
	10	0.010000

Info.	Code version	VME card#	Precision	NTH	NTH Factor
	6.42	2	5	NO YES	2

More V1.9