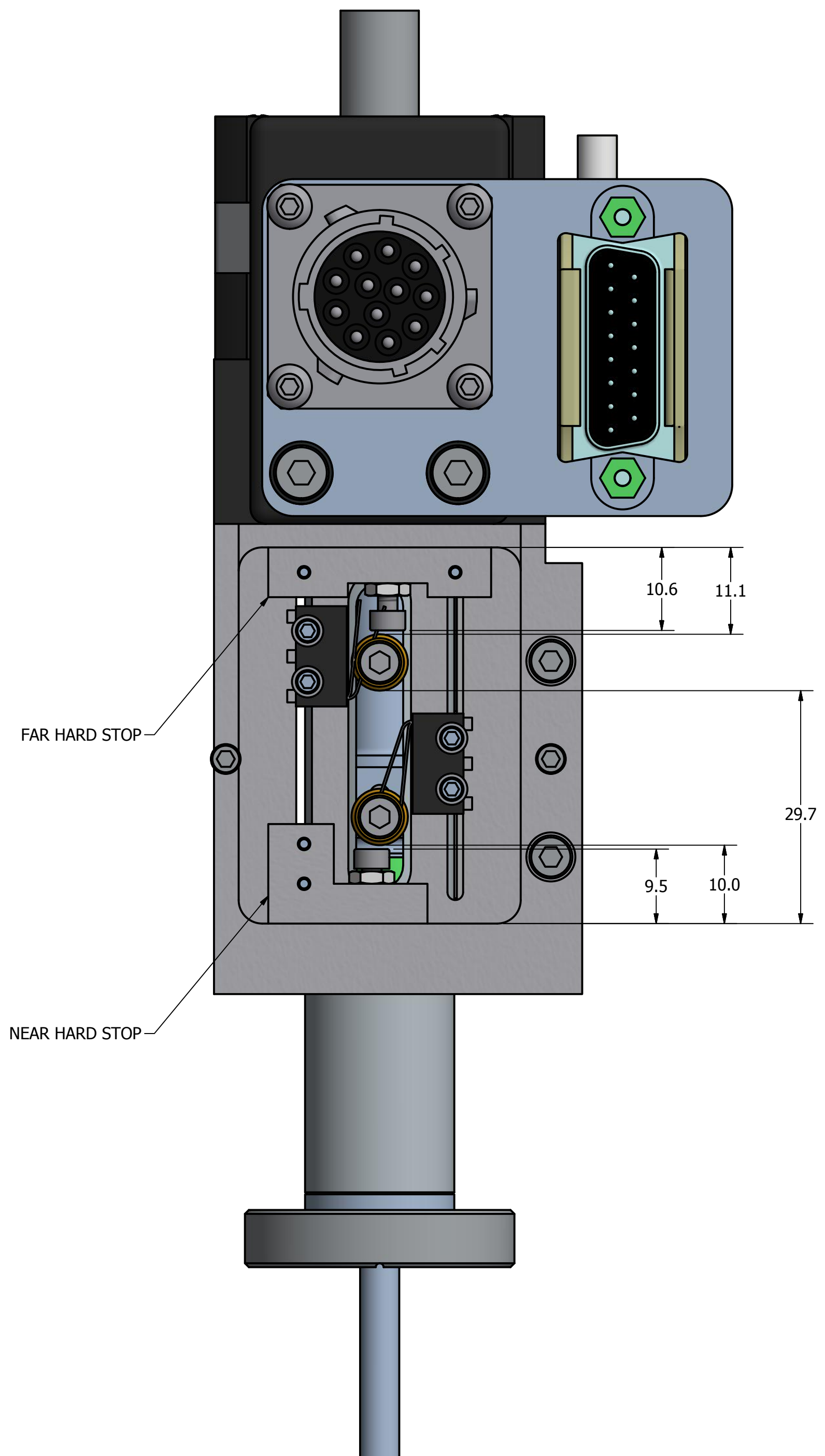
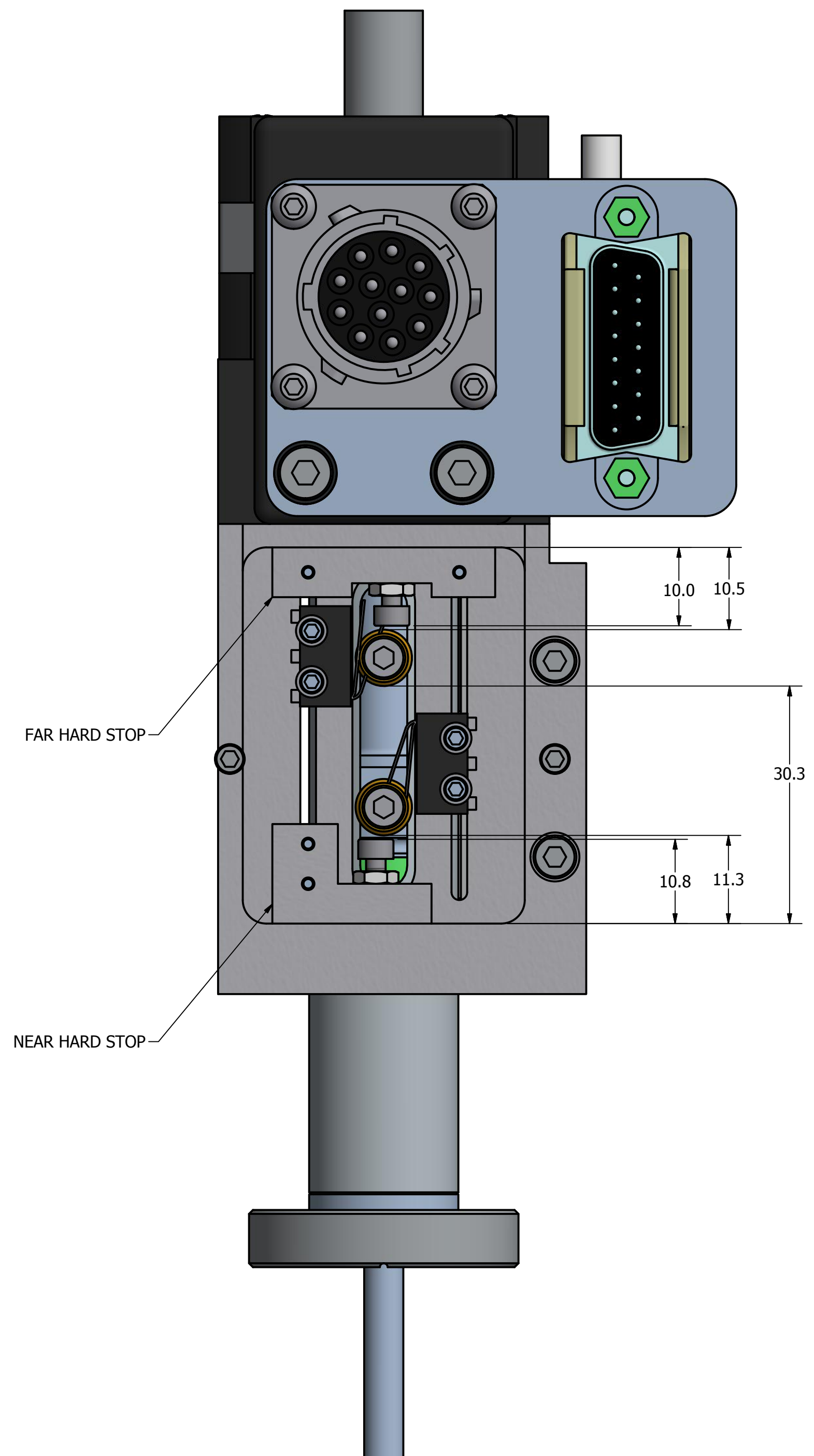


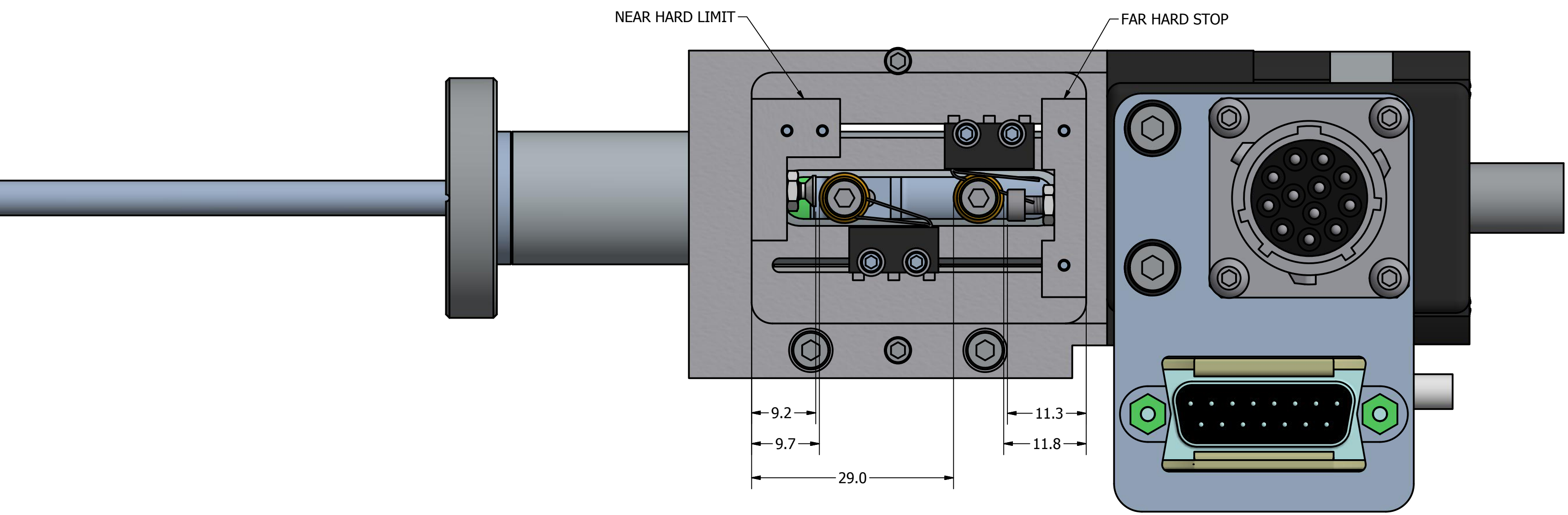
UPPER VERTICAL BLADE ACTUATOR



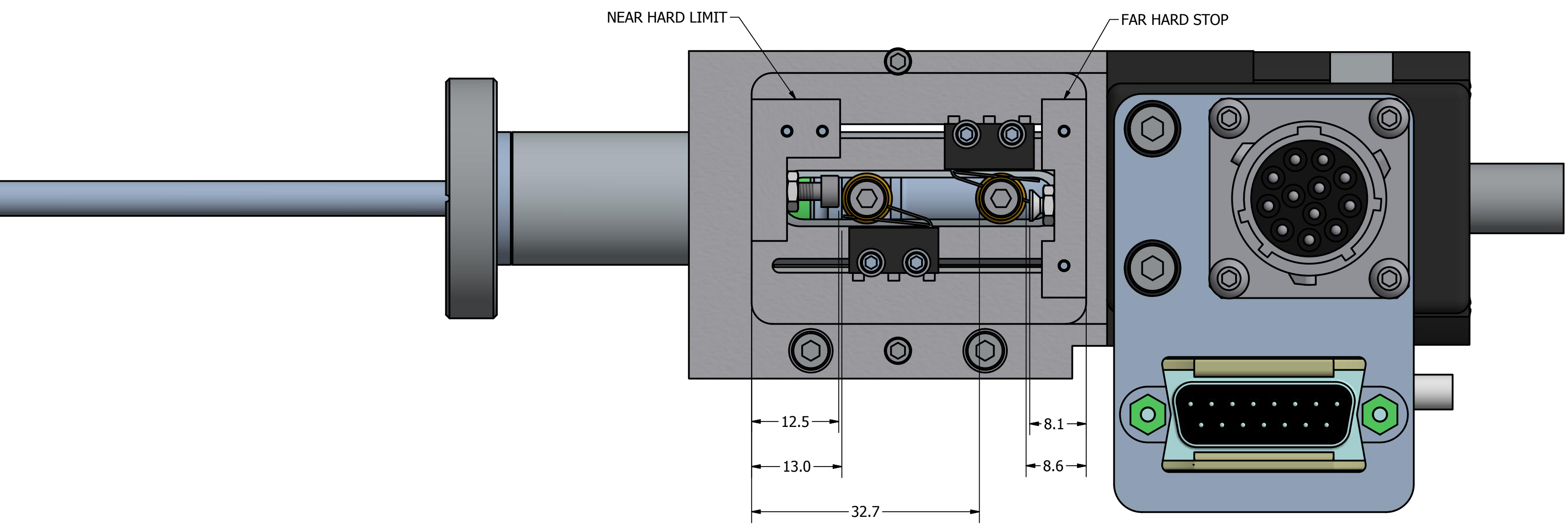
LOWER VERTICAL BLADE ACTUATOR

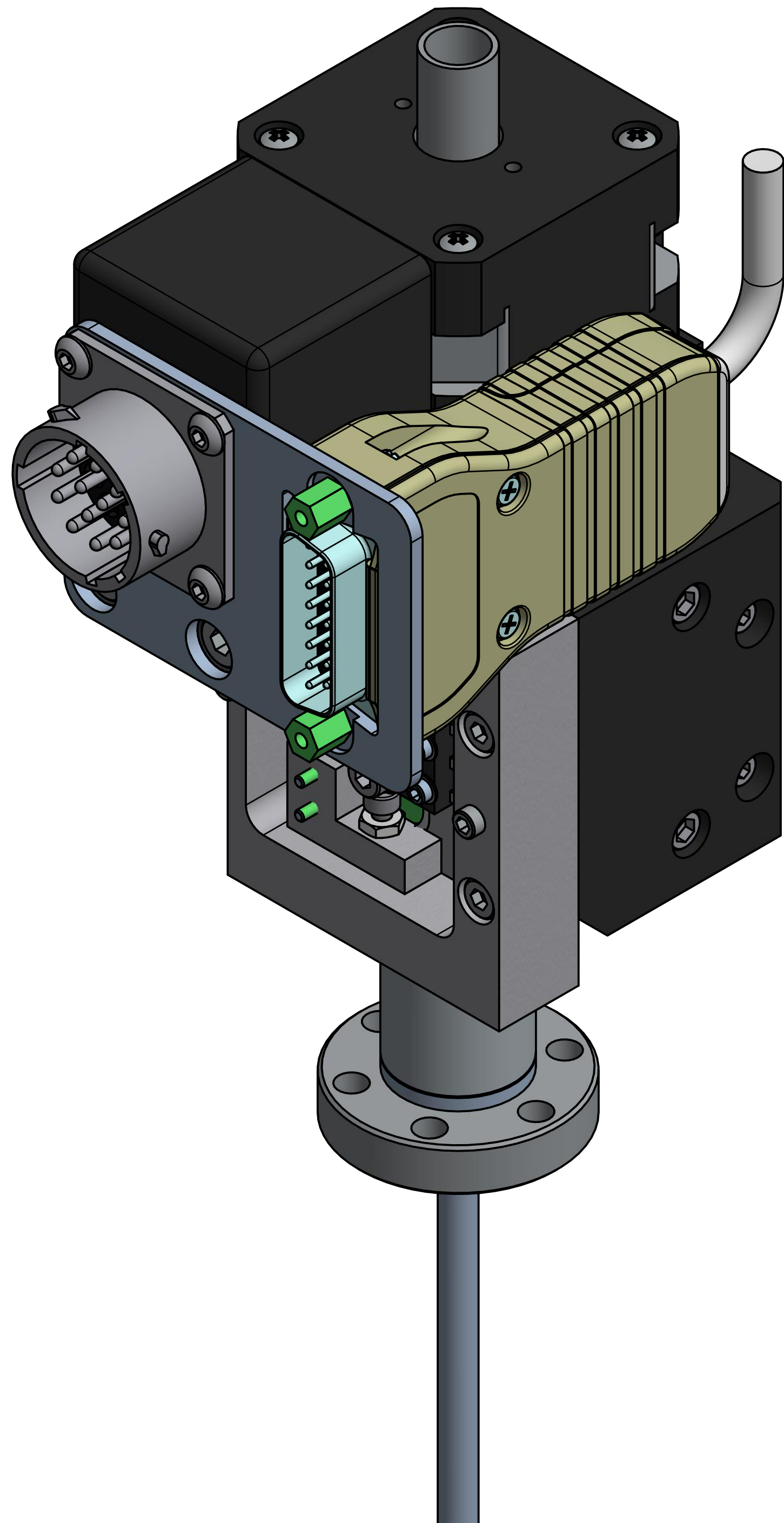
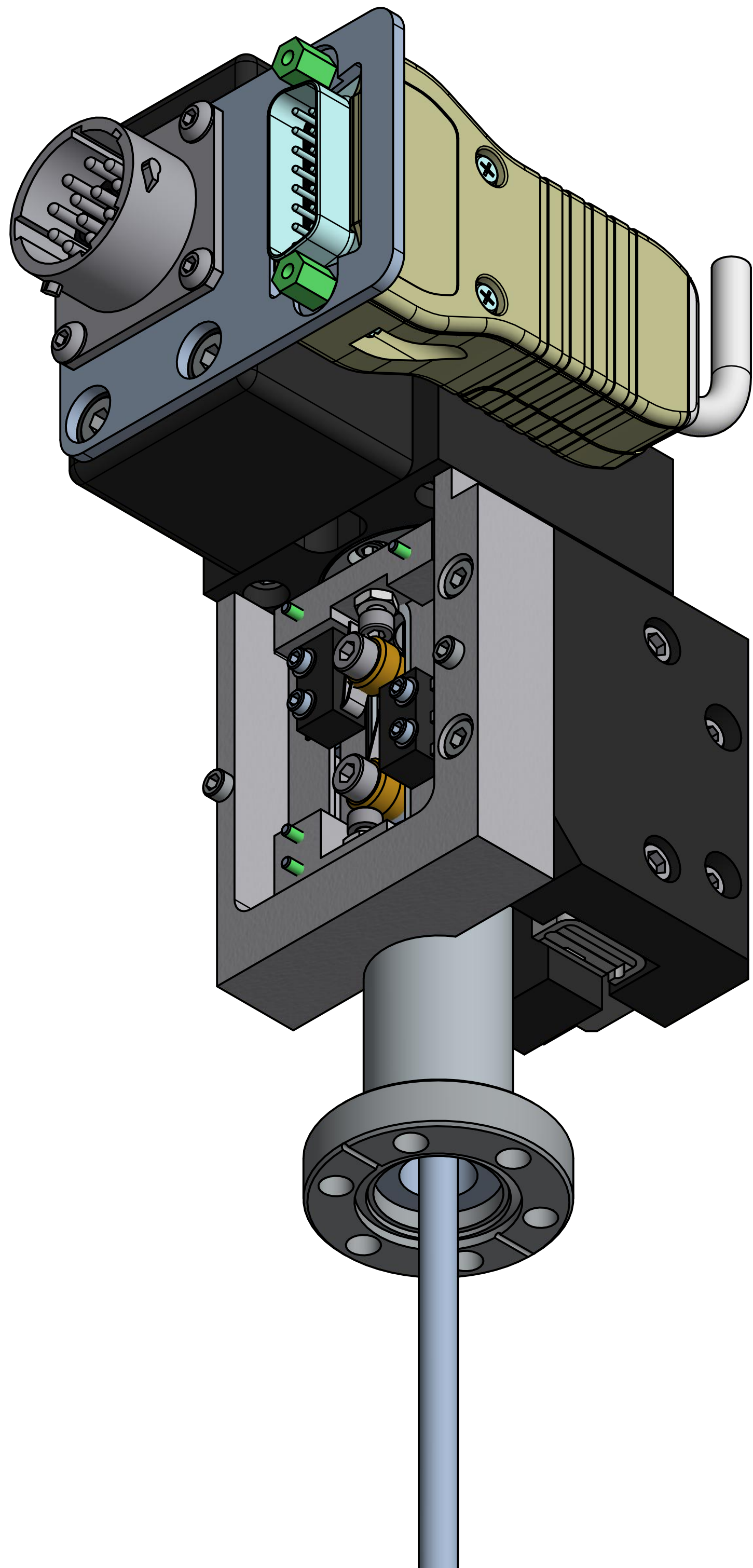


INBOARD HORIZONTAL BLADE ACTUATOR



OUTBOARD HORIZONTAL BLADE ACTUATOR





8-ID-I OXFORD SLIT MODIFICATIONS

FAR HARD STOP

QUANTITY - 4

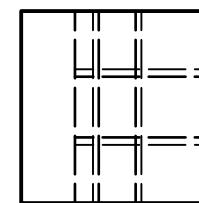
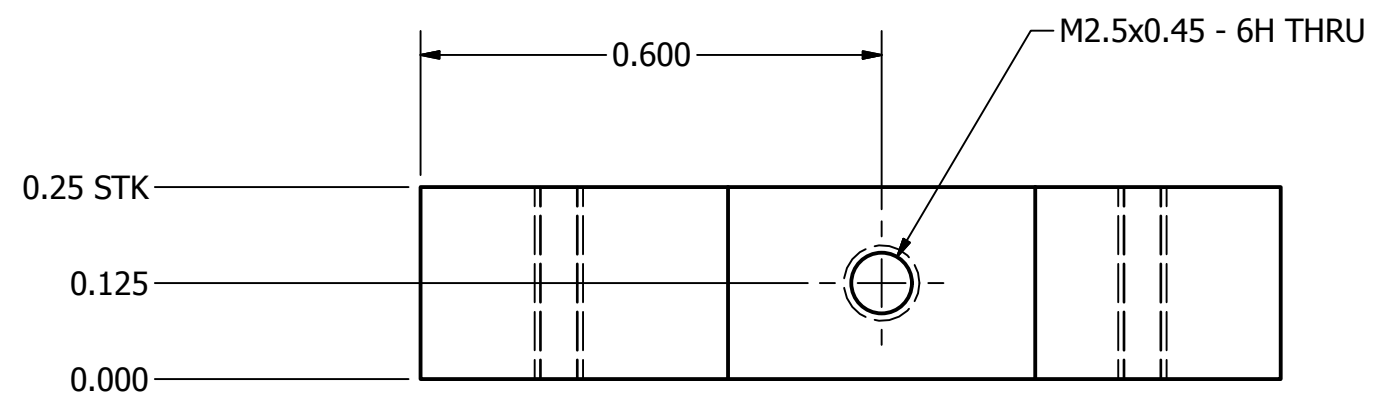
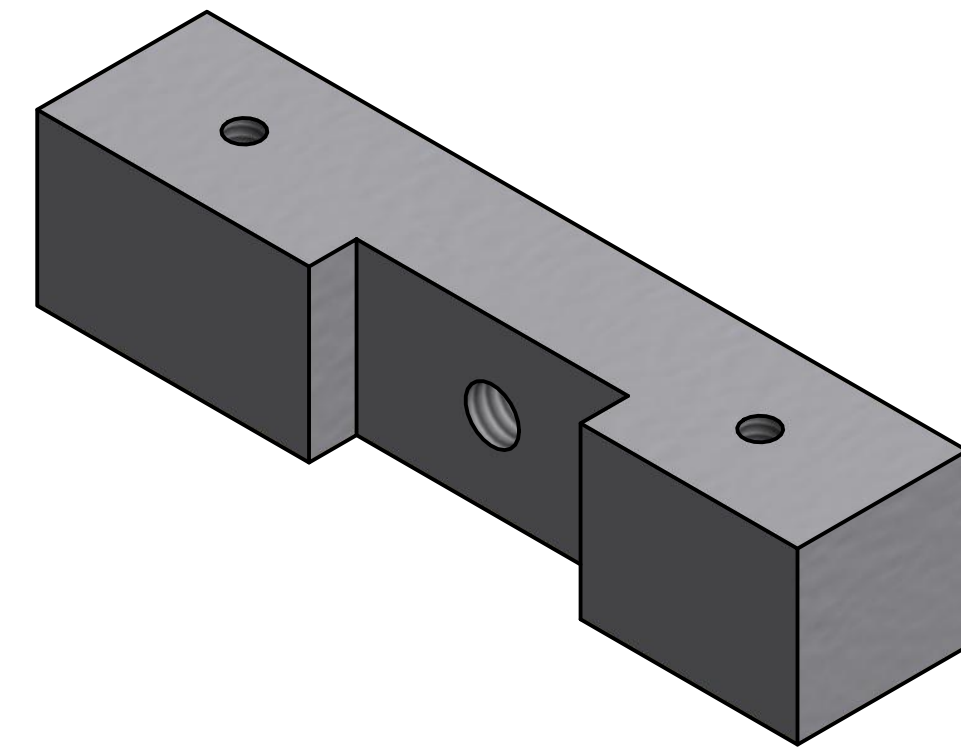
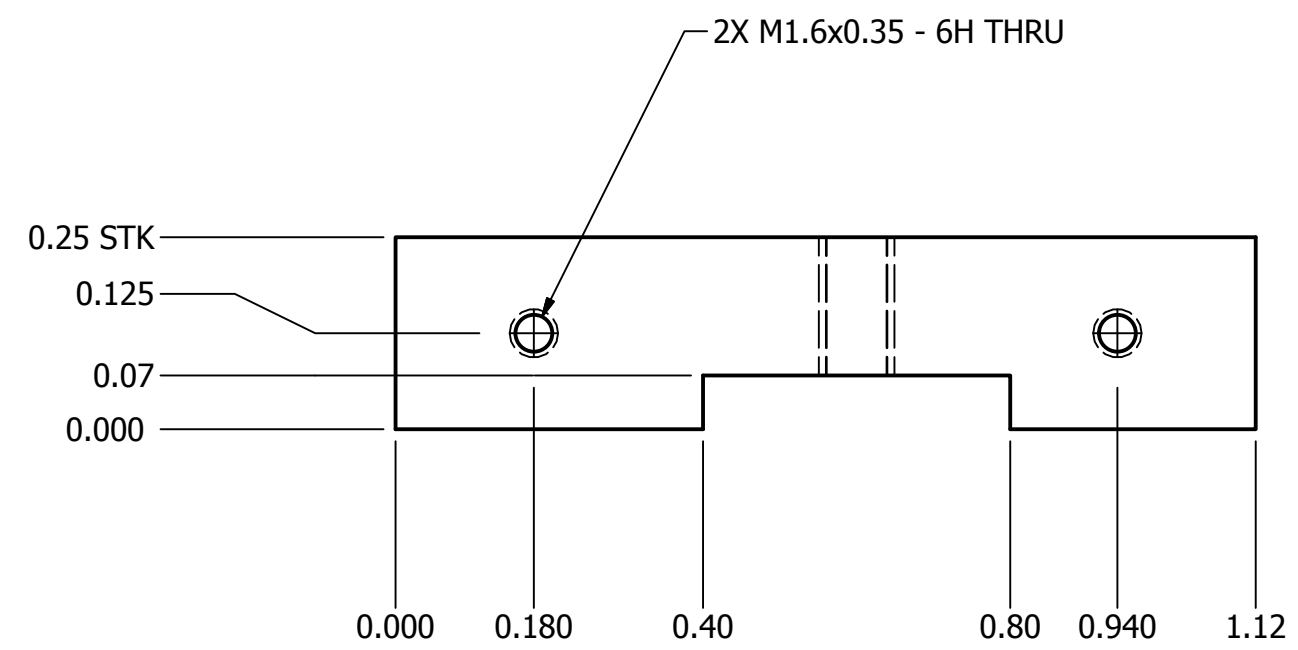
MATERIAL - 6061 ALUMINUM

COST CODE: PRJ1000854 APS03-132_PH01 General_APS03071802: 8-ID-I Operations

MIKE FISHER 2-1576

ALL DIMENSION IN INCHES UNLESS NOTED

SCALE 2:1



8-ID-I OXFORD SLIT MODIFICATIONS

NEAR HARD STOP

QUANTITY - 4

MATERIAL - 6061 ALUMINUM

COST CODE: PRJ1000854 APS03-132_PH01 General_APS03071802: 8-ID-I Operations

MIKE FISHER 2-1576

ALL DIMENSION IN INCHES UNLESS NOTED

SCALE 2:1

