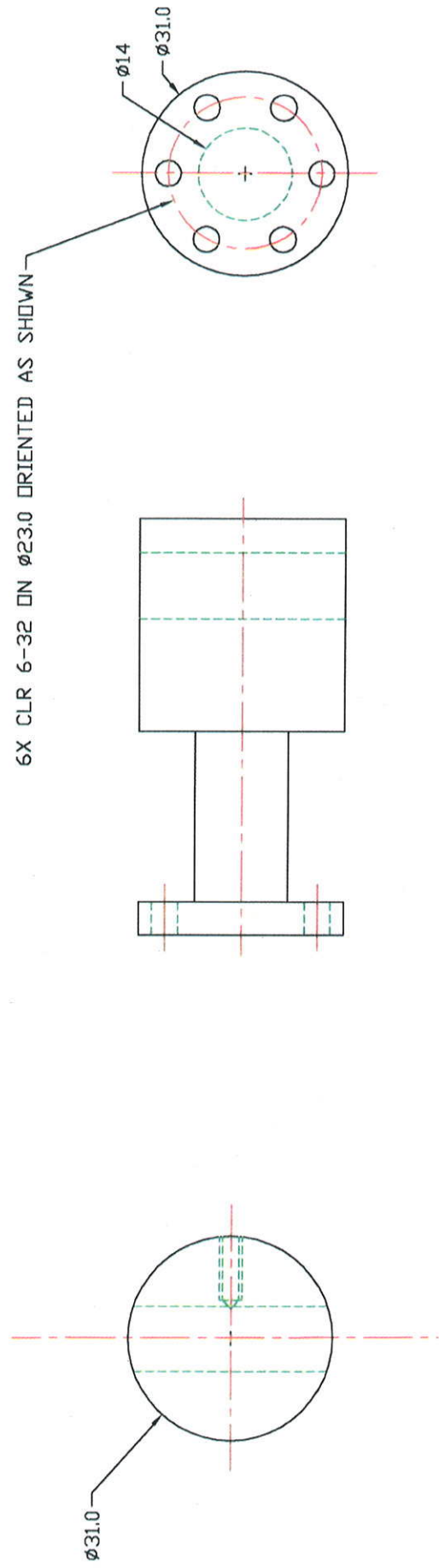
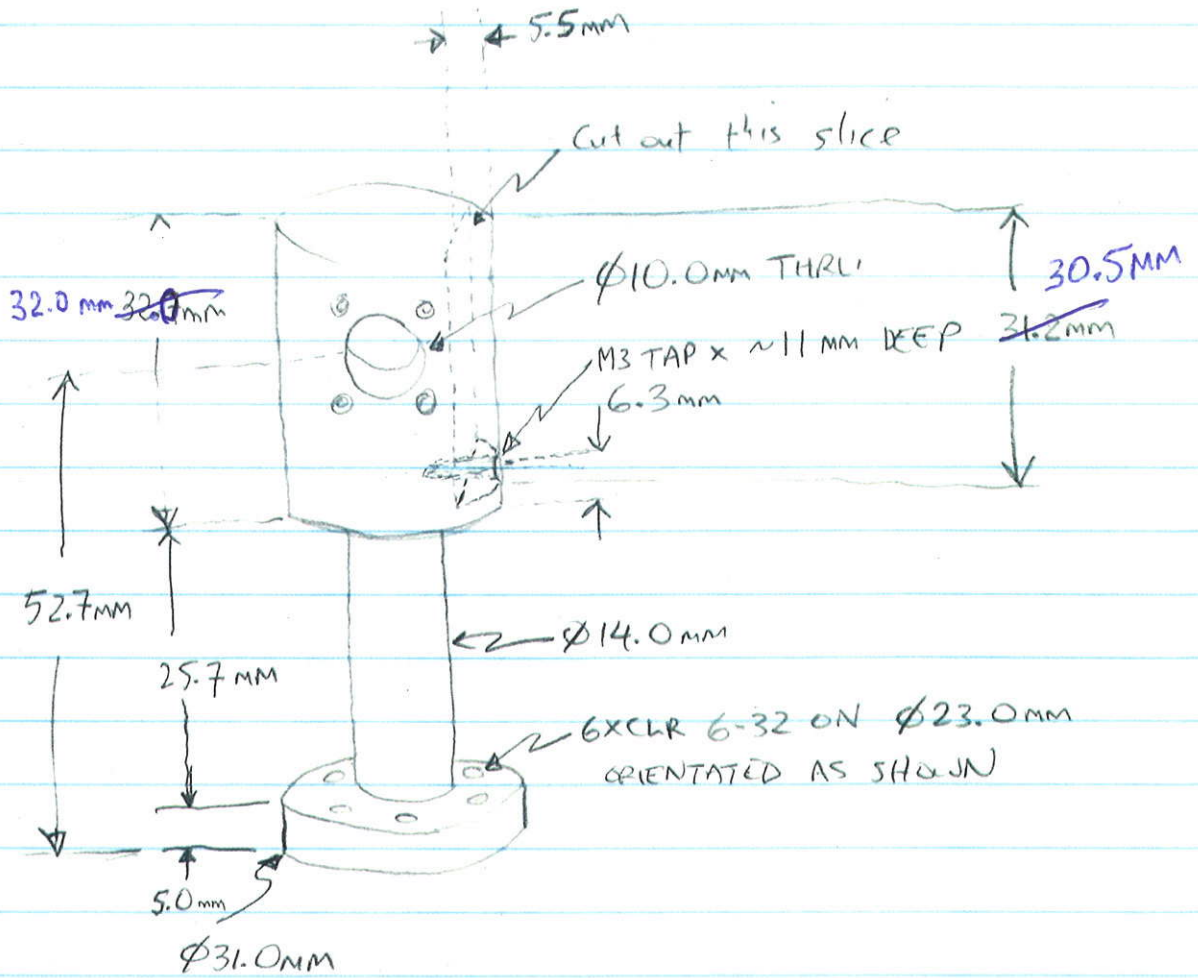


CRL SUPPORT POST
 Material: Aluminum
 Qty: 2X
 Alec Sandy
 2-0281
 58927-47-132
 PLEASE CLEAN ALL PARTS FOR VACUUM USE
 AFTER FABRICATION



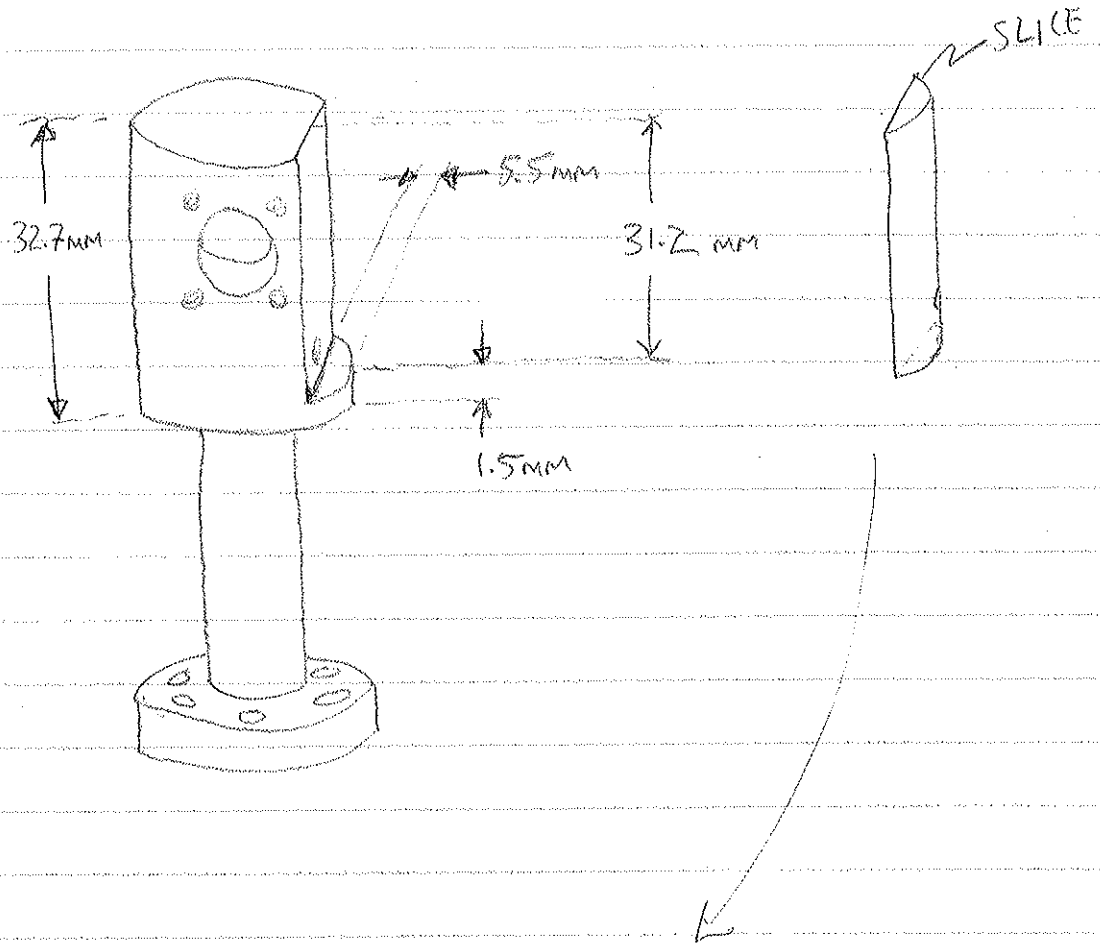
Alec Sandy

1



Alec Sandy

2



NICE
FINISH ON
FLAT FACE

C'BORE' EXISTING HOLE
FOR M3 SHCS

