

RXOPTICS GmbH & Co. KG, Am Handwerkerzentrum 1, D-52156 Monschau, Germany

Argonne National Laboratory
9700 South Cass Ave.
Lemont, IL 60439, USA

Your e-mail address
dufresne@anl.gov

Date
07/31/2020

Quotation: QU-AA04-200731

Dear Dr. Dufresne,

thank you very much for your interest in our products. We are pleased to provide you with the following quotation.

Item	Description	Quantity	Unit price \$	Total \$
1	Parabolic, refractive lens 2D, R = 0.05 mm, Be grade O-30-H	4	1,384.00	5,536.00
2	Parabolic, refractive lens 2D, R = 0.1 mm, Be grade O-30-H	4	1,358.00	5,432.00
Total excl. VAT \$				10,968.00

Technical Notes:

- The guaranteed web thickness d in items 1-2 is below 50 μm (Figure 1).
- Warning: Beryllium is a hazardous material. See safety data sheet on Beryllium Solid.

Delivery and Commercial Terms:

- Shipment: Approximately 3 months ARO. Unless stated otherwise, lead time is based on production loading and capacity as of the time of issuance of this quote and may be subject to change until receipt of the order. Transport and transport insurance are by FedEx at the expense of the customer.
- Payment terms: Net 30 days after delivery by electronic transfer (no cheques accepted).

- Validity of this quotation: 90 days from proposal date.

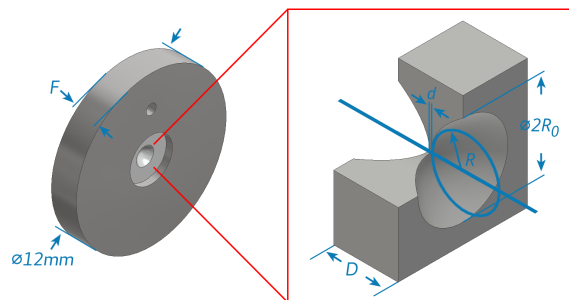
Hoping that our offer meets your demands, we are looking forward for you to contact us.

Best regards,

Dr. Daniel Lengeler
(managing director)

Attachments:

- Fig. 1. 2D lens:



- Safety data sheet: Beryllium Solid